

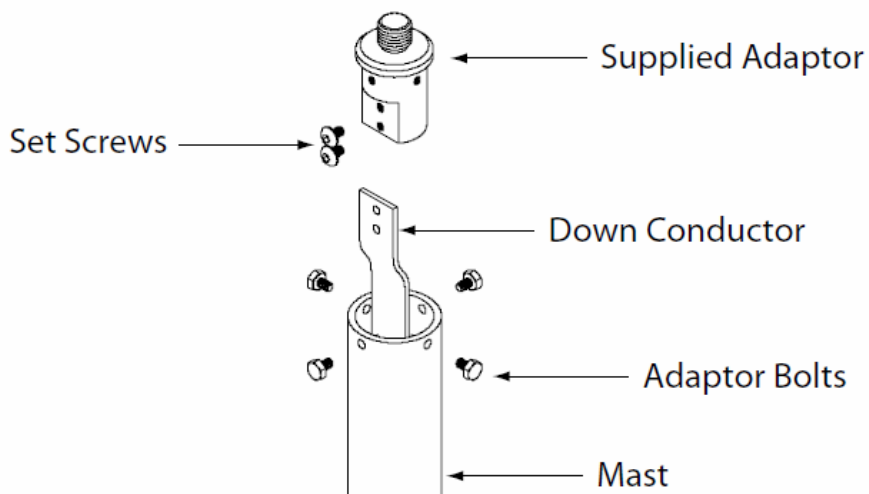
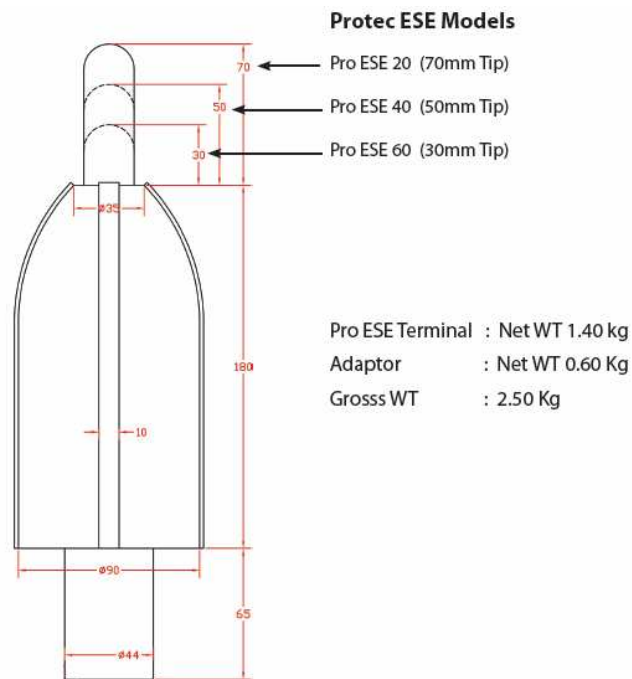
## PROTEC PRO E.S.E. LIGHTNING TERMINAL

### INSTALLATION OF DOWN CONDUCTOR

Each Pro E.S.E. Terminal comes supplied with the adaptor.

This adaptor accepts either flat copper strip or stranded copper wire.

- Flat copper strip attaches to the external "flat" side of the adaptor.
- Round/stranded copper wire is inserted into the hole in the base of the adaptor and secured with the two screws provided.



Down Conductor Upper End